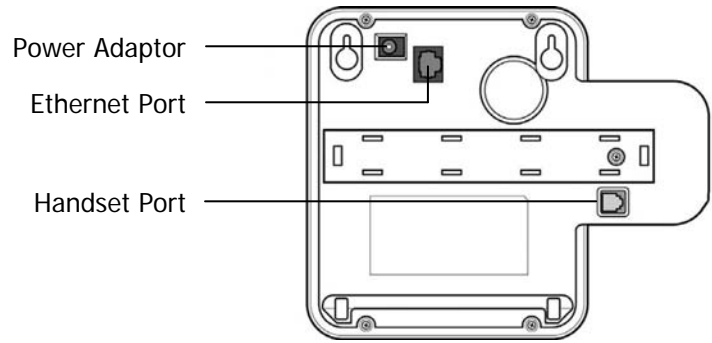


Quick Start Guide



Connecting the Skype Phone to your network:

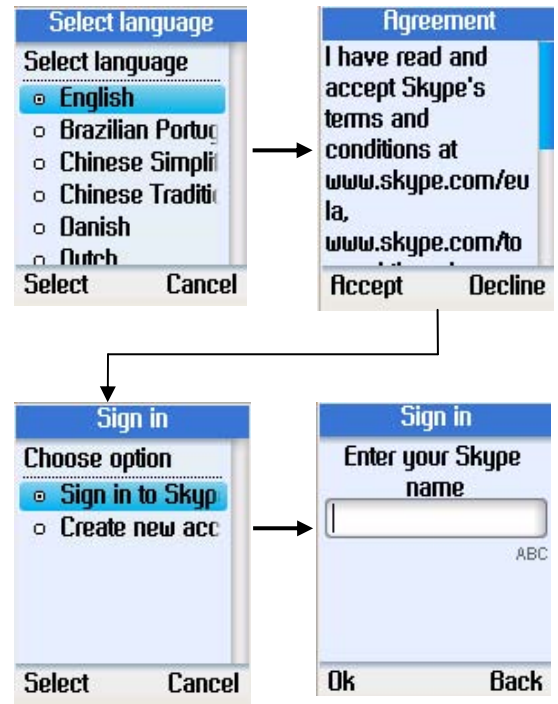
- 1 — Connect the supplied Ethernet Cable from the bottom of the Skype phone to a port on your router or DSL modem
- 2 — Connect the Handset cord from the bottom of the handset to the handset port
- 3 — Plug the power adaptor from the back of the telephone to a standard AC outlet



The Skype phone will automatically boot:

Use the two "Soft" buttons under the display to program the telephone.

- 1 — Select the language that you would like to use with the telephone interface
- 2 — Read and accept the Skype agreement
- 3 — Create a new Skype account or sign into your existing one.



Making a call with your new Skype Phone:

Your Skype Contact List will automatically appear on your phone.

- 1 — Make a Skype call: Press the "Contacts" soft button, select a contact and press the center navigation key OR dial "00" shows as "+" and then 1 (country code) and then the area code and number (+19135992583)
- 2 — End a Call: Press the end key to disconnect the call
- 3 — SkypeOut:

After added money to a "SkypeOut" account -
Go off hook and dial the desired telephone number
Press the call button to place the call
Press the end button to end the call

